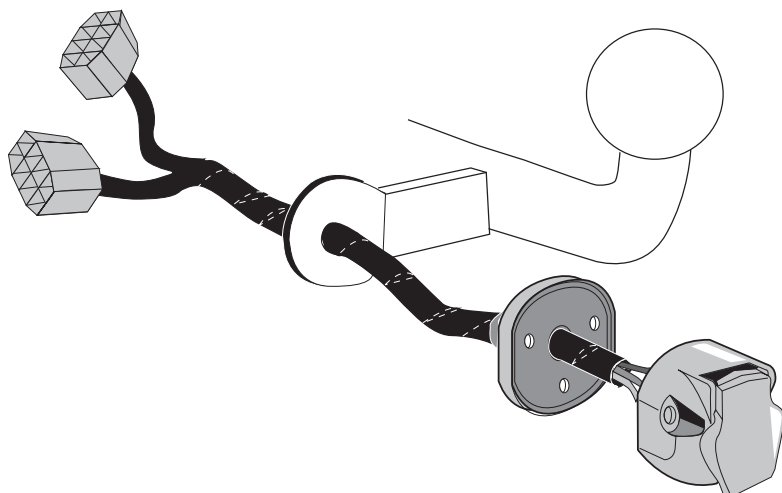


Skoda

**Scala 04/2019 >>
Kamiq 09/2019 >>**

Part No: VW-204-13MU

Electric wiring kit for towbars / 13-pin / 12 Volt / ISO 11446 Fitting instructions



IMPORTANT!

This electric kit has to be installed by a professional workshop or a suitable qualified person.

The installation instructions must have been read and fully understood before the start of any installation. Please contact your wiring kit provider or the hotline shown in the footer should you need assistance!

Make sure the vehicle is approved/homologated by the manufacturer to tow a trailer!

Also please check that there is a definite compatibility between this vehicle and the electric kit!

Following the installation of the electric kit, the fitting instructions should be kept together with the vehicle service document and vehicle handbook. The fitting instructions contain important information relating to the use and function of the towing kit as well as for any diagnostic or activation process, that might have to be repeated in the future (e.g. after the performance of a vehicle software update).

All warranty claims will be forfeited if the electric kit or components contained therein are used incorrectly or modified. If a towing socket adaptor has been used to connect to the trailer or bike rack, this must be removed from the trailer socket once the trailer or bike rack has been disconnected.

If the trailer or bike rack is not equipped with a rear fog lamp, depending on the towing vehicle type, the correct function of the towing kit cannot be guaranteed. In such cases, a rear fog lamp should be retro fitted.

This towing electric kit will not be covered under warranty if any technical or electrical modifications or software updates have been performed by the vehicle manufacturer after the initial commissioning of the kit. That applies especially to modifications or updates which may cause malfunctions in the trailer socket or any other part of the trailer electrical equipment!

Depending on the type of trailer module used in this electric kit, diagnostic interrogation with the vehicle's electrical system may be limited or will not function. The error memory inside the trailer module may not be able to be accessed by vehicle manufacturers diagnostic system.

Error logs relating to the trailer electrical equipment, that may be generated in the vehicle manufacturers diagnostic system as a result of a test procedure, may be due to the incorrect installation of the towing electric kit or the false activation of the trailer module.

We always recommend whenever possible, the following troubleshooting process:

→ **An analysis of the vehicle's error memory and possibly clearing of all faults before the start of the installation!**

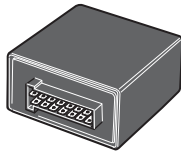
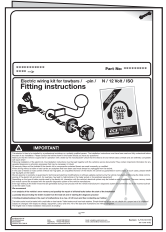
→ **Try disconnecting the trailer module from the towing harness and re-start the fault clearing process!**

→ **If in doubt, limit the time for troubleshooting to a max of 0,5 hours and call our Technical Support Team!**

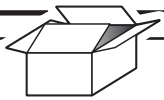
Please follow our instructions carefully and always test the towing electrics using a true lighting board or a specifically designed bulb tester. If an LED tester is used, ensure it is equipped with correct load resistors or malfunctions will occur!

This instruction is subject to changes and we reserve the right to make changes to design, colour etc.

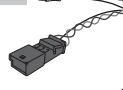
All of the data and illustrations may not be an exact representation but the text contained in this instruction must be observed!



M



B



A

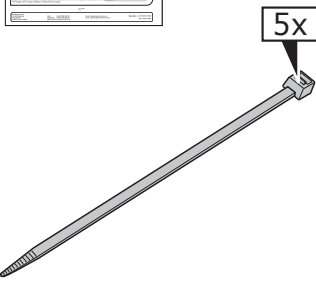
M1



T



X



5x

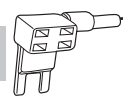
U



A

VW-204-YZ

U2



U1



2x



15 Amp. minifuse

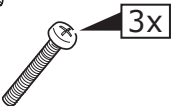
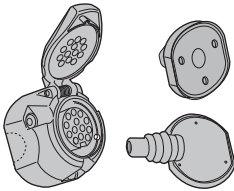
2x



1x



1x



3x



3x



3x



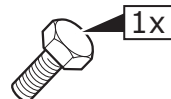
1x



1x



2x



1x



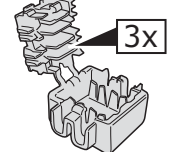
1x



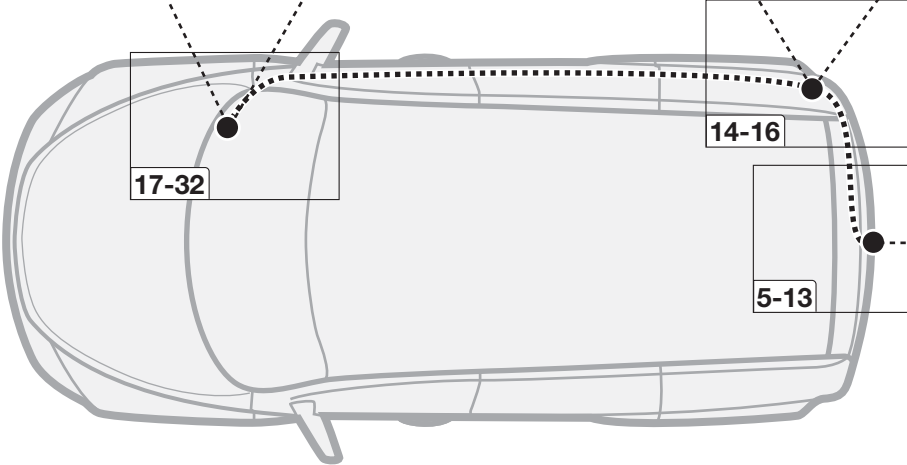
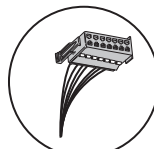
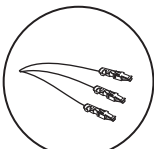
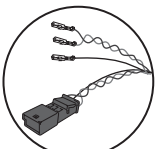
1x



10x



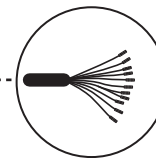
3x



17-32

14-16

5-13

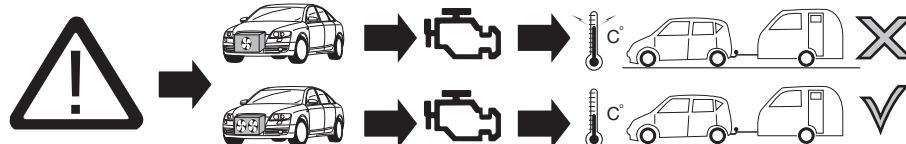
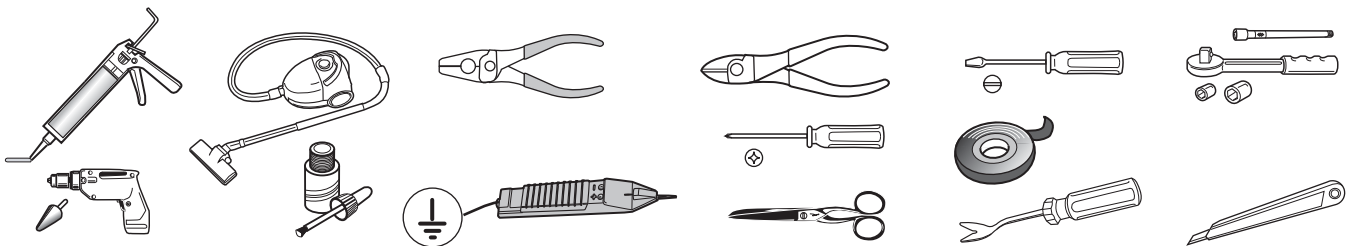


SYMBOL EXPLANATION

| | |
|----------------|---|
| | Left (58-L) respectively Right (58-R) tail light |
| 54 | Stop light (54) / high mounted, third stop light (54) |
| | Turn signal indicator left |
| | Turn signal indicator right |
| | Rear fog light(s) |
| | Reversing light(s) |
| | Permanent power supply / 13pin socket, chamber 9 |
| | Charging wire for trailer battery / 13pin socket, chamber 10 |
| | Trailer / trailer recognition |
| B+ / 30 | Permanent current power supply |
| | Ground or Earth (31) |
| | Ground connection battery terminal lug |
| | Positive connection battery terminal lug |

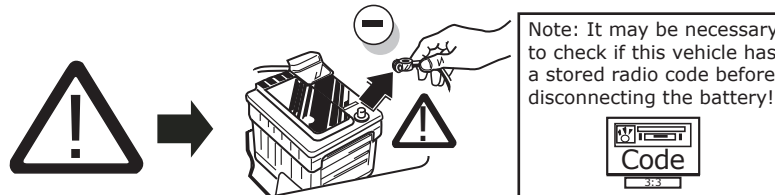
| | |
|--|---|
| | Cigarette lighter / accessory socket |
| | Loudspeaker / buzzer |
| | Park Distance Control |
| | Switch / source of function |
| | Connect together |
| | Disconnect |
| | Look at / See further information |
| | Look carefully at selected area |
| | Present / Occupied / OK |
| | Not present / Not occupied / Not OK |
| | Acoustic indication |
| | Attention / important advice |
| | Fuse / fuse capacity 20 Ampère |

TOOLS



ATTENTION!

The vehicle's cooling capacity may have to be increased when retrofitting a trailer coupling!
You must observe the manufacturer's instructions!!

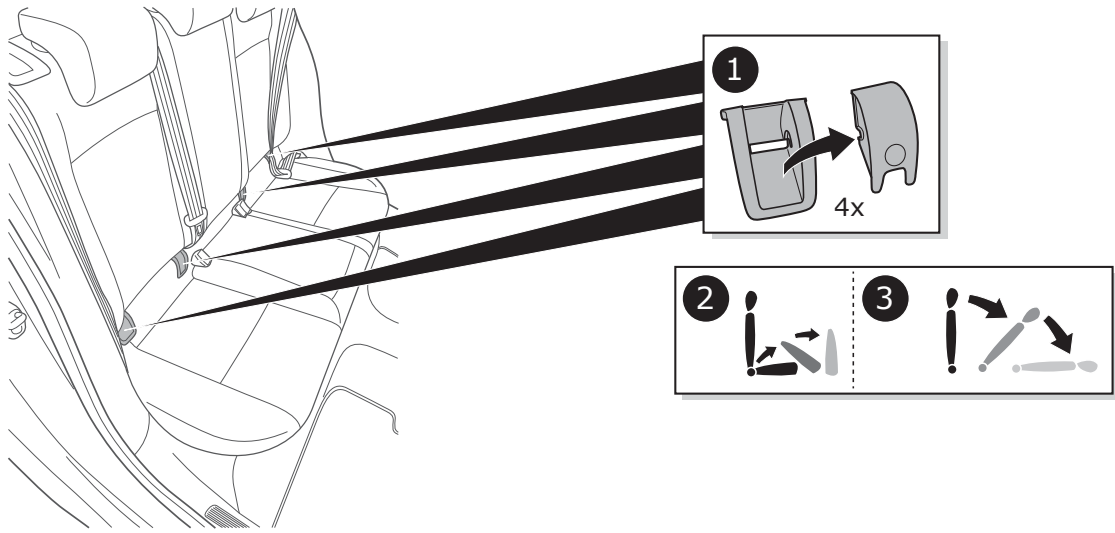


ATTENTION!

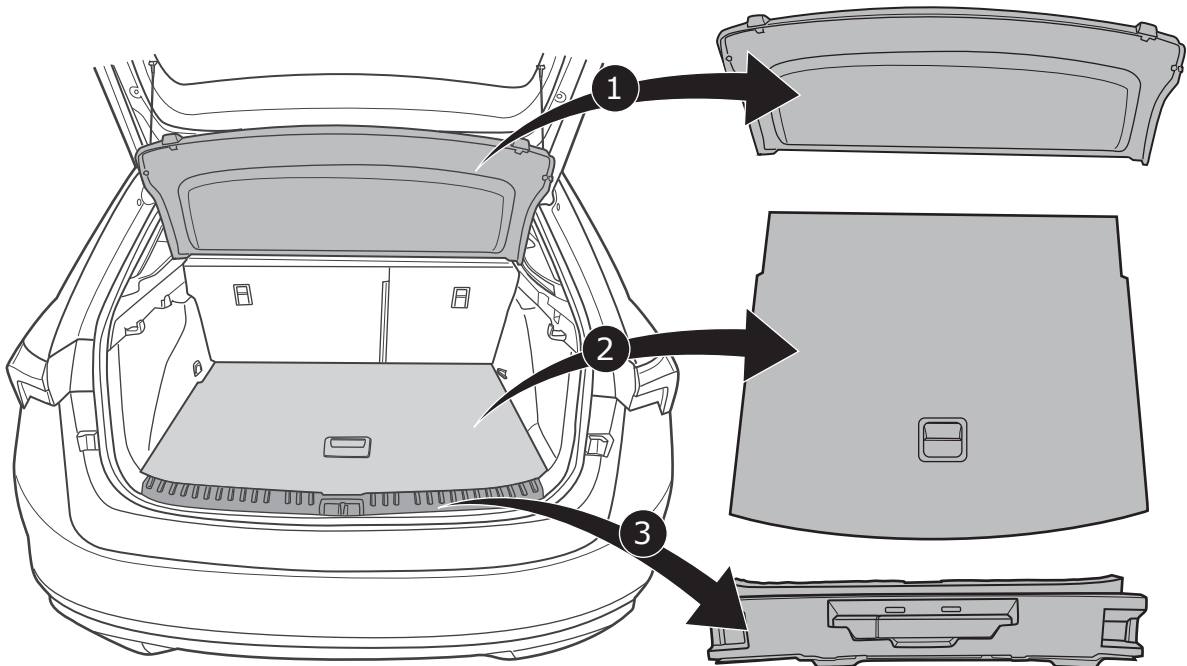
In order to avoid mal-functions and damage to the vehicle's electrical system the earth terminal **must be disconnected** from the vehicle's battery **before starting work!**

Both the trailer module and the vehicle's control unit for the electrical system can be damaged during work on the data bus connections if the battery is not disconnected!

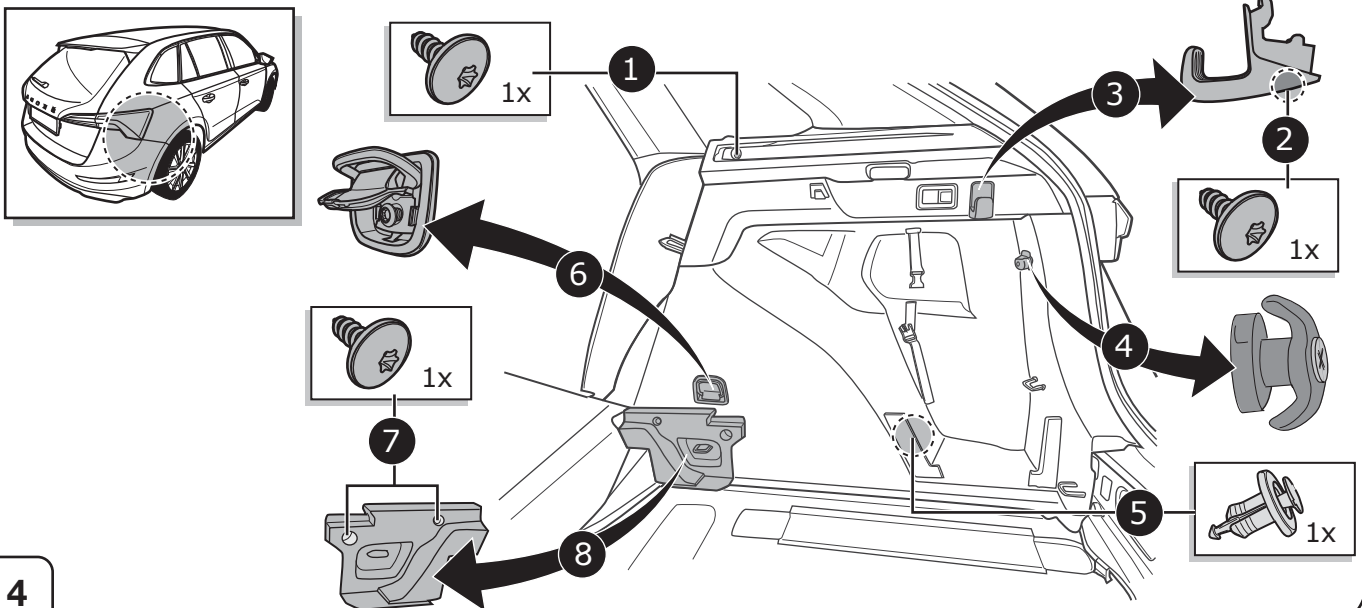
1 Please pay attention to the manufacturer's instructions when disconnecting and reconnecting the vehicle's battery!



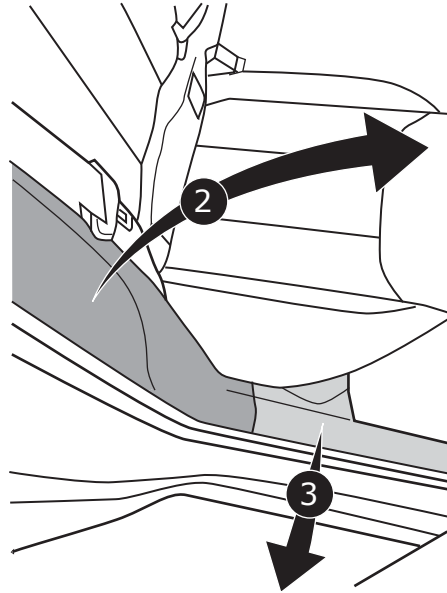
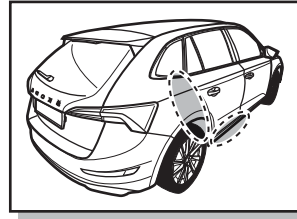
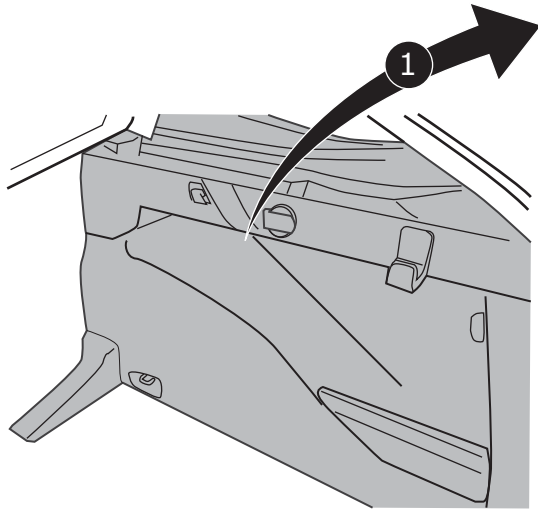
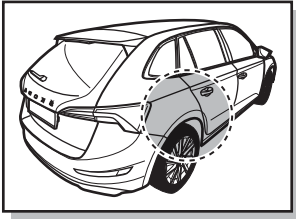
2



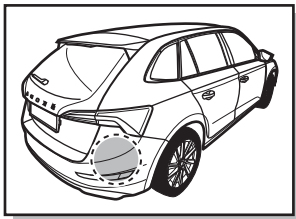
3



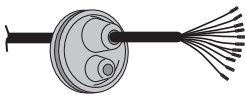
4



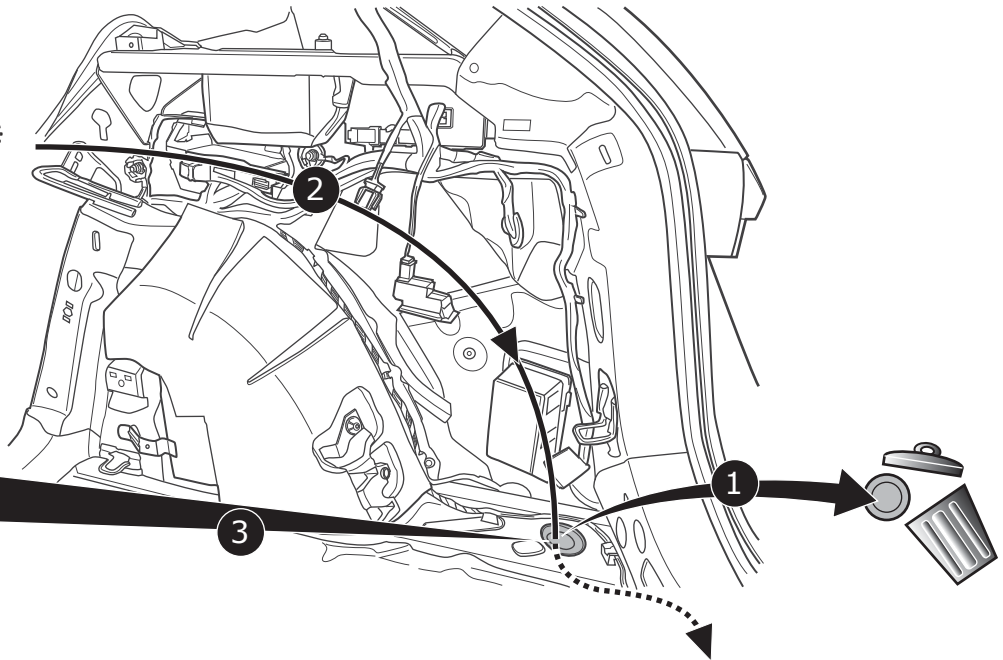
5



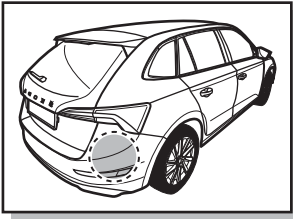
Option 1



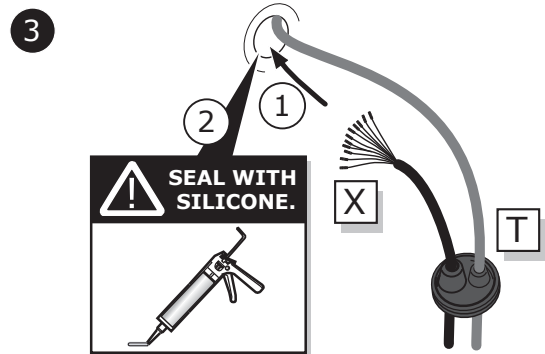
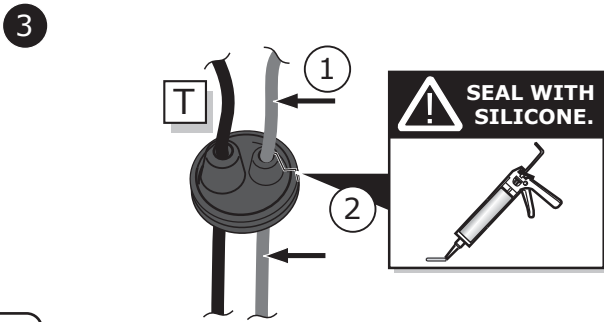
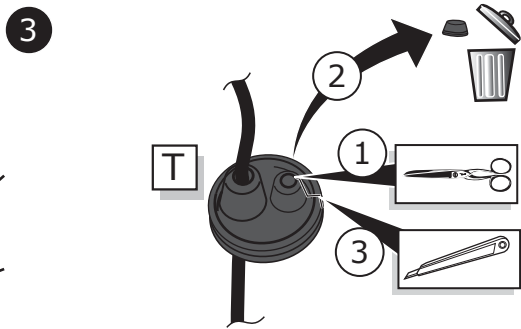
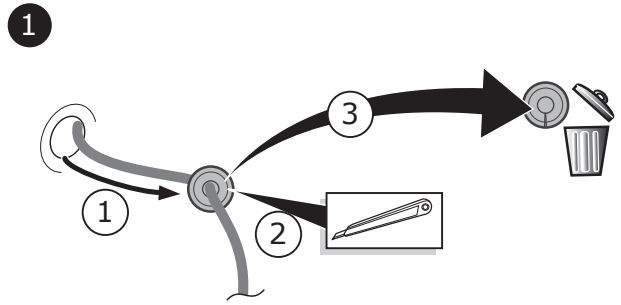
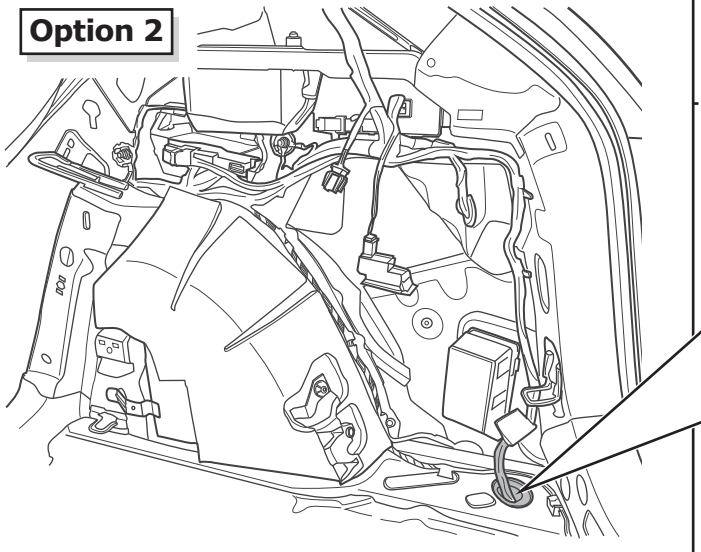
X



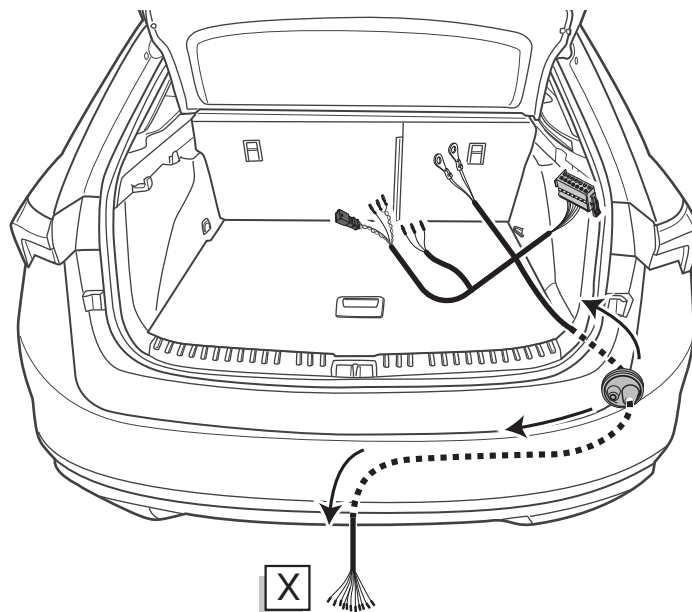
6



Option 2

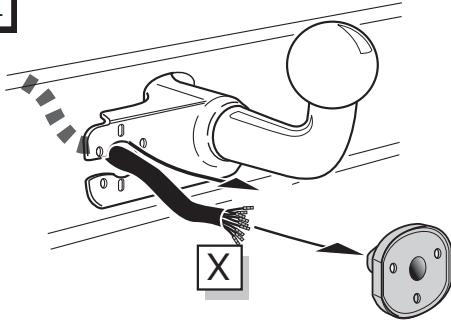


7

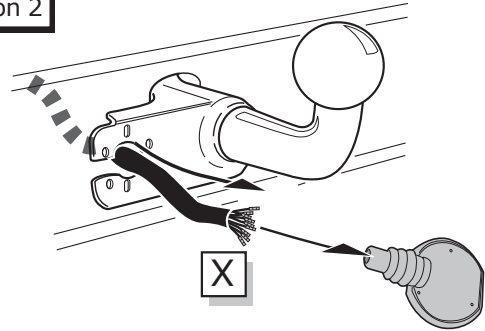


8

Option 1



Option 2



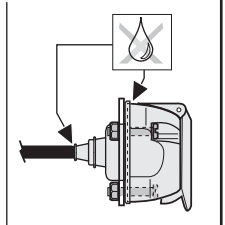
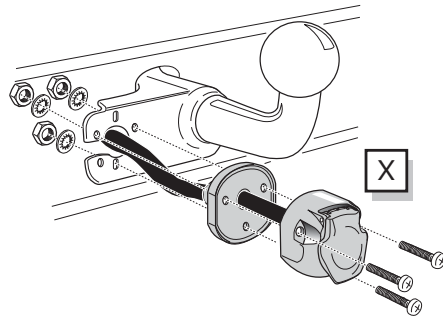
9

SOCKET CONNECTION

| DIN/ISO 11446 | ↶ L | ⊘ | ⊥ 1-8 | ↷ R | ☀ | STOP | ☀ | Reverse | 30° | 15° | ⊥ 10 | — | ⊥ 9 |
|---------------|--------|------|-------|-------|--------|-------|--------|---------|--------|------|-------------|----|-----------|
| | 1/L | 2 | 3/31 | 4/R | 5/58-R | 6/54 | 7/58-L | 8 | 9 | 10 | 11 | 12 | 13 |
| Pmax | 21W | 21W | | 21W | 42W | 3x21W | 42W | 21W | 240W | 180W | | | |
| Colour | Yellow | Blue | White | Green | Brown | Red | Black | Pink | Orange | Grey | White/Black | - | White/Red |

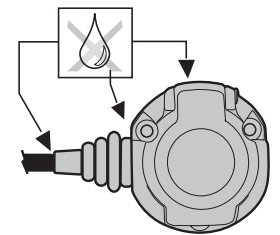
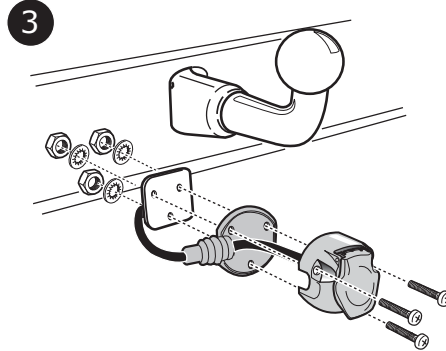
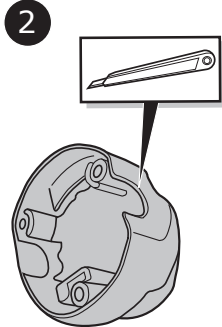
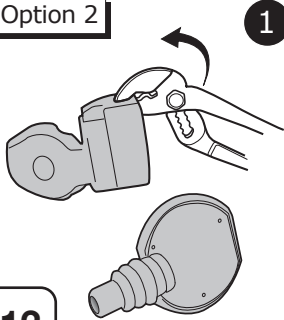
10

Option 1



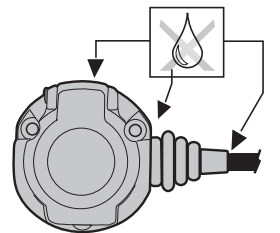
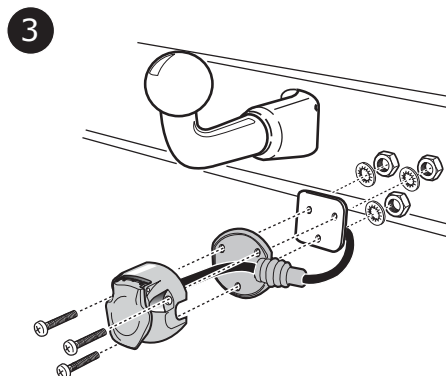
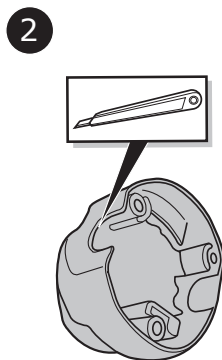
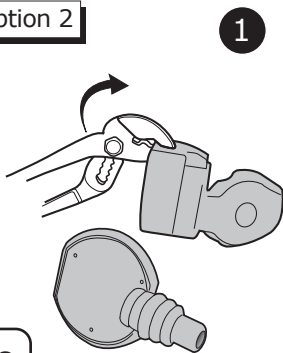
11

Option 2

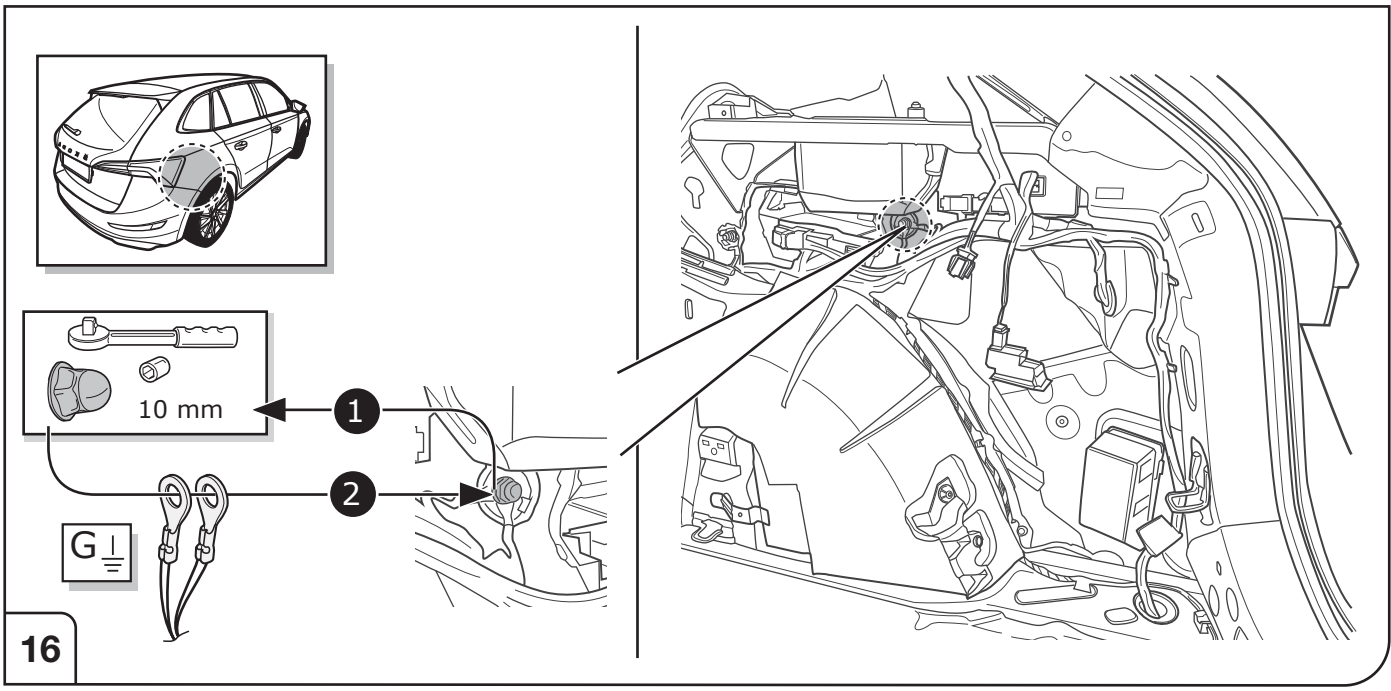
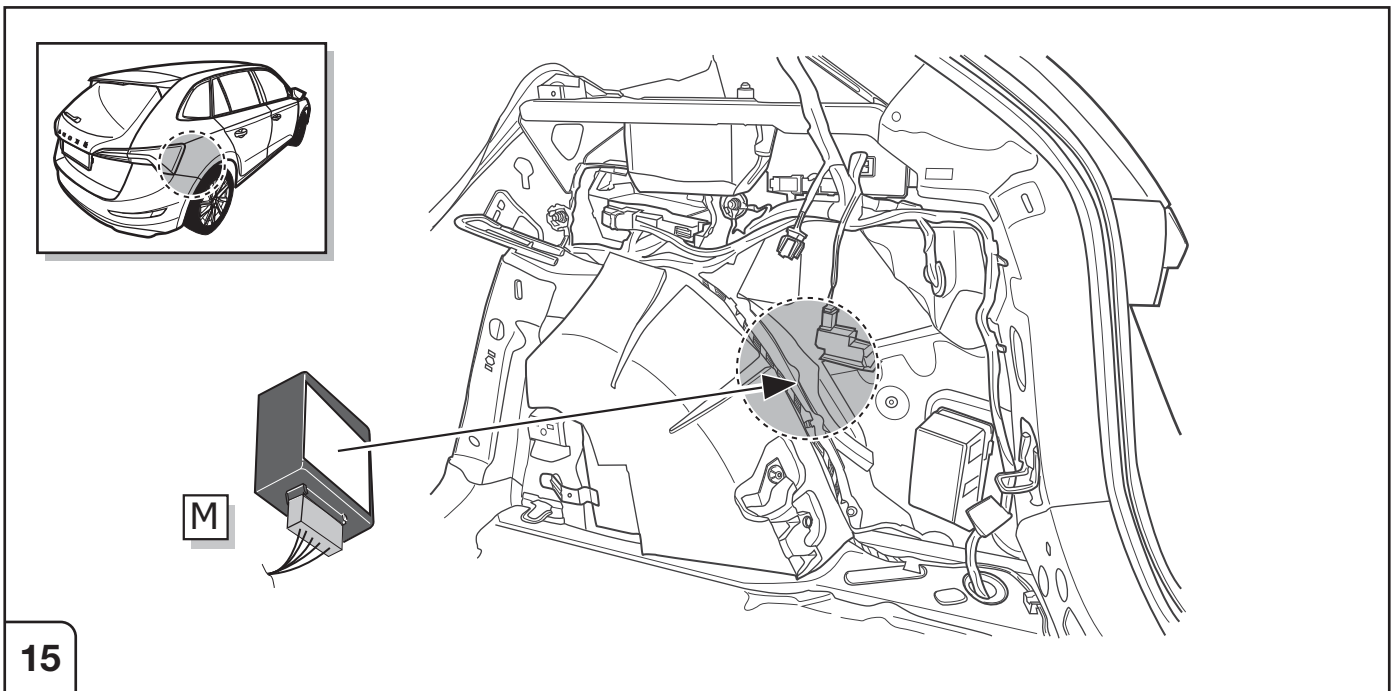
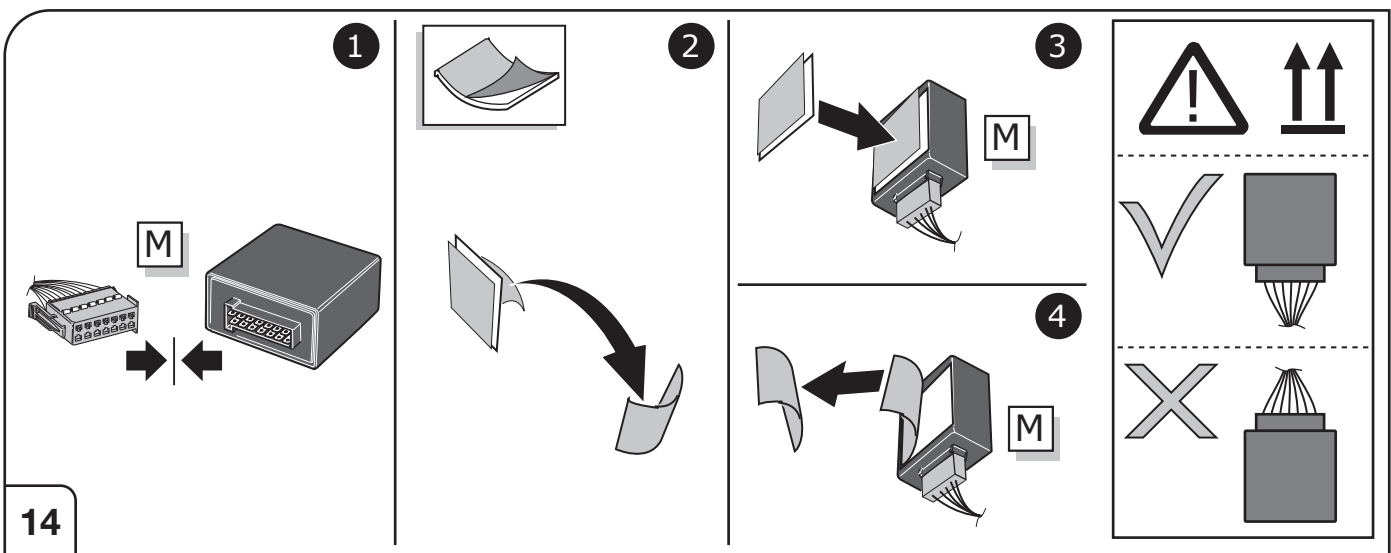


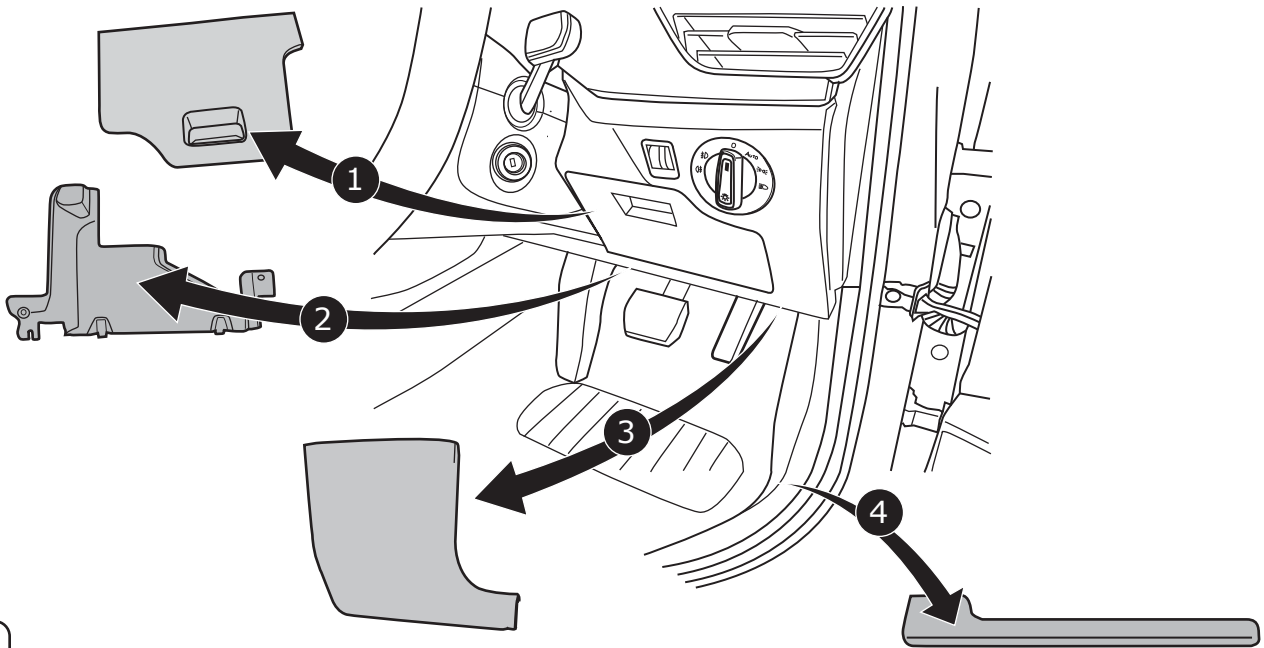
12

Option 2

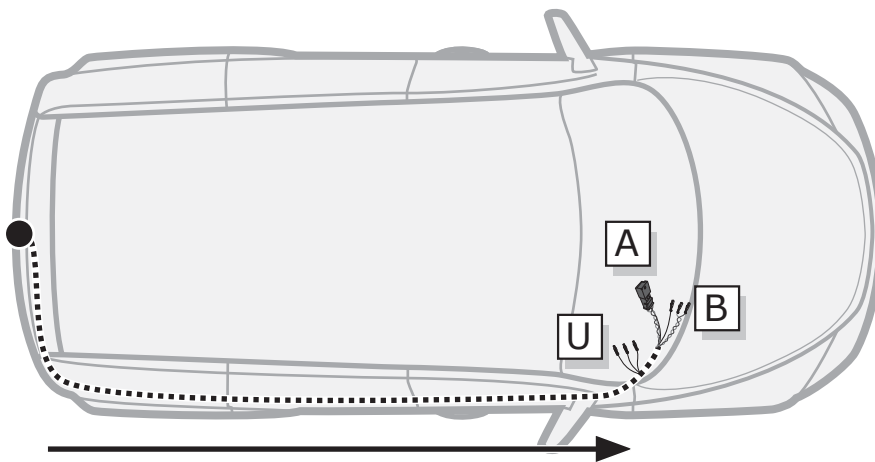


13

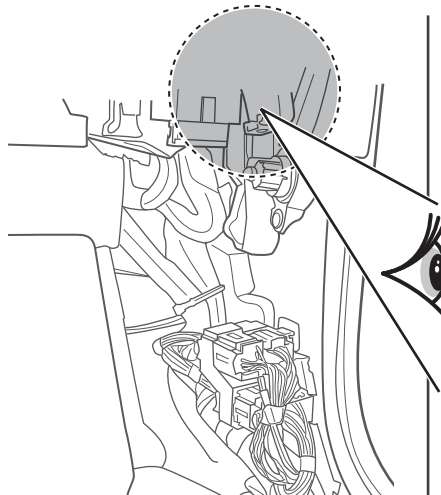
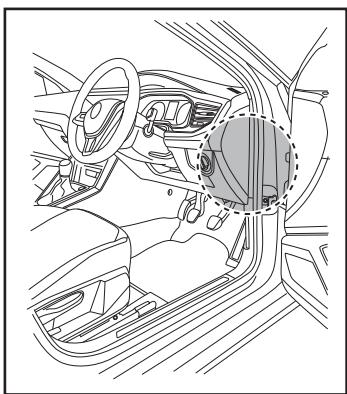




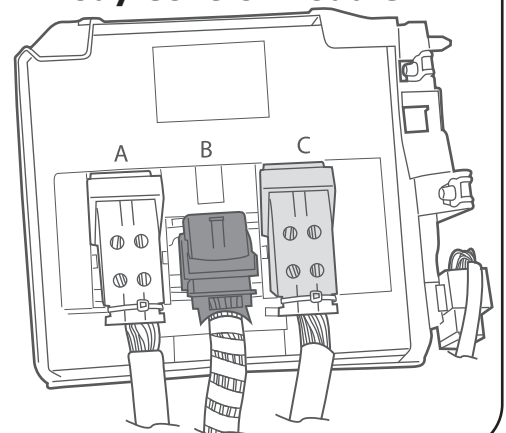
17



18



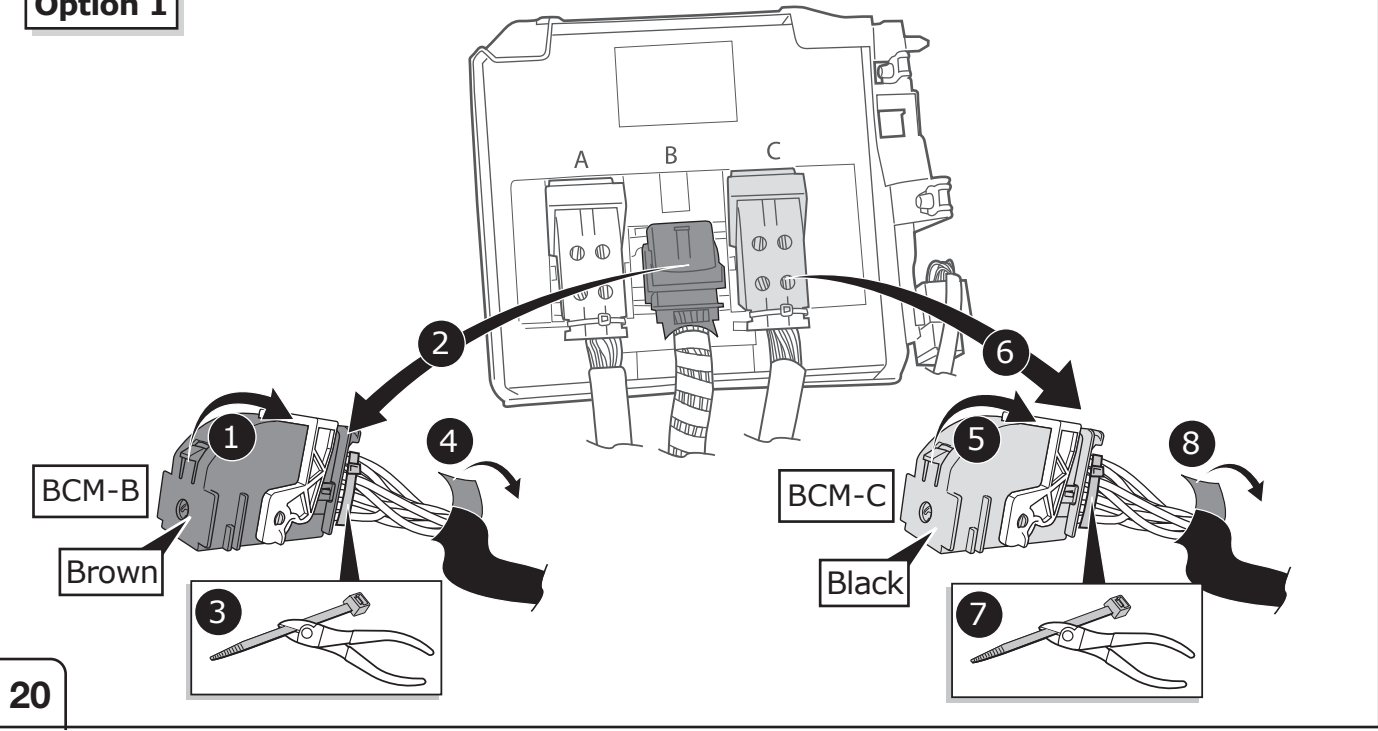
Body Control Module



19

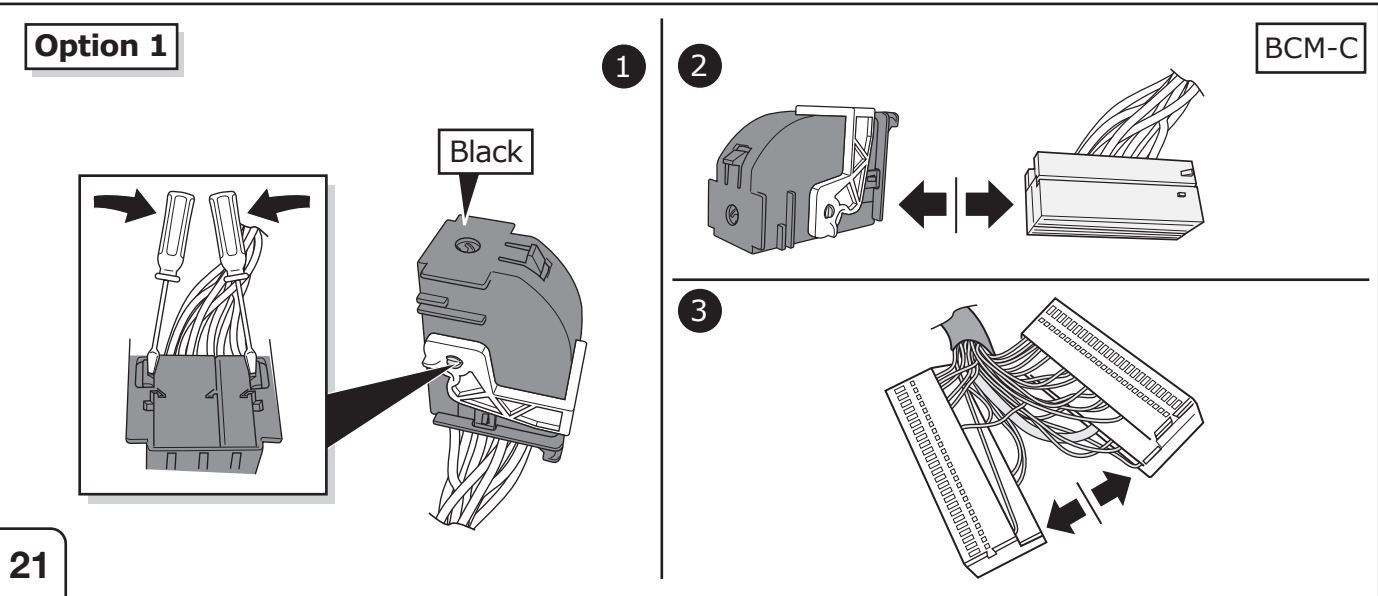
Body Control Module

Option 1



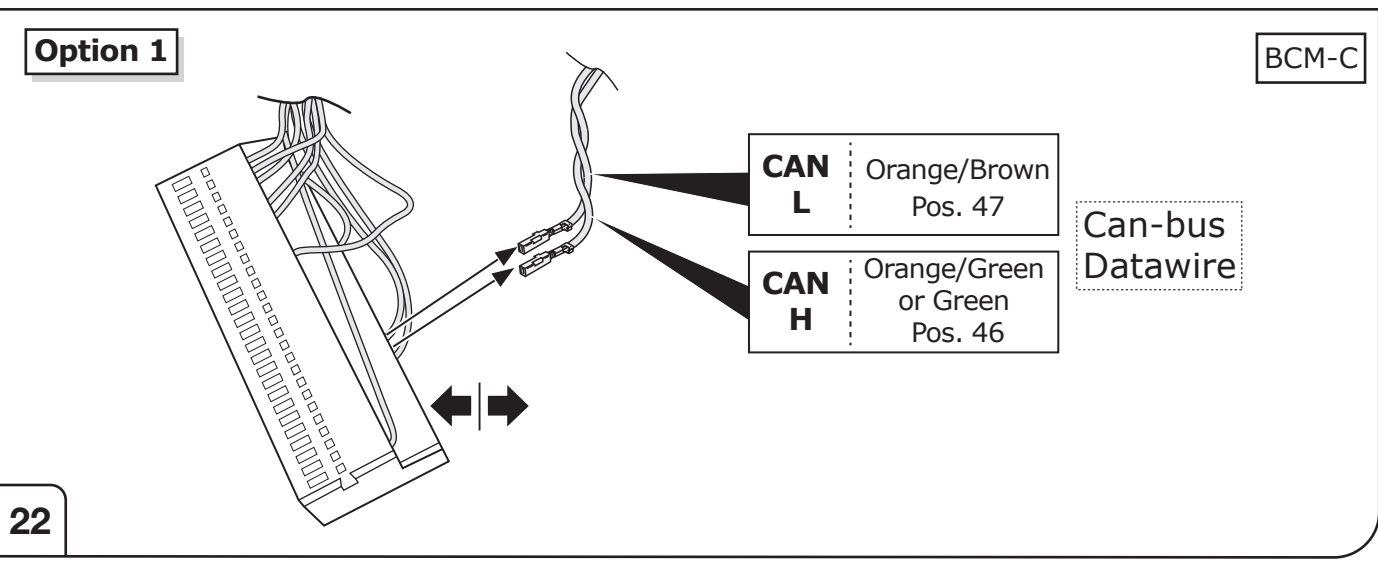
20

Option 1



21

Option 1

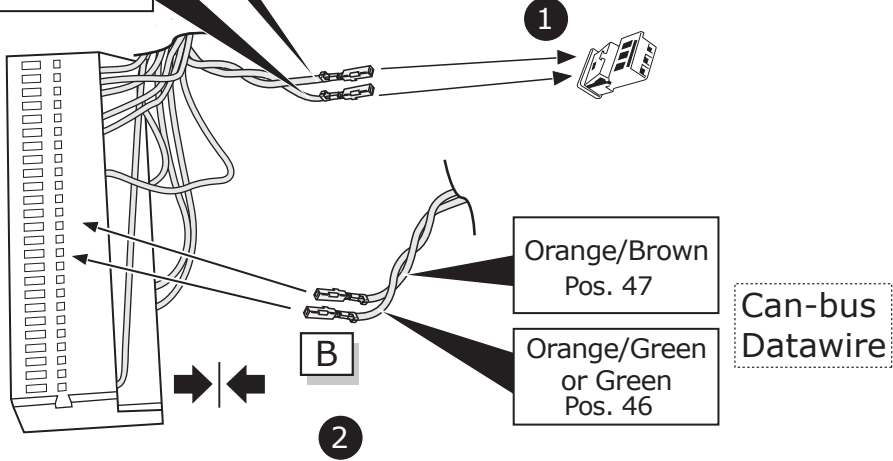


22

CAN H Orange/Green or Green Pos. 1

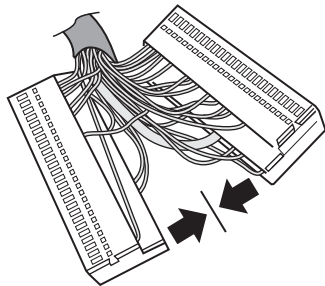
CAN L Orange/Brown Pos. 3

Option 1

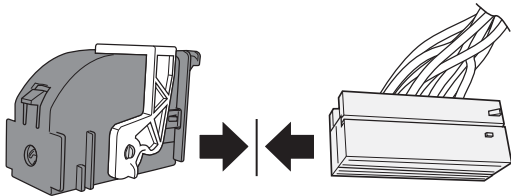
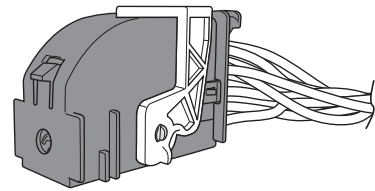


23

Option 1



1

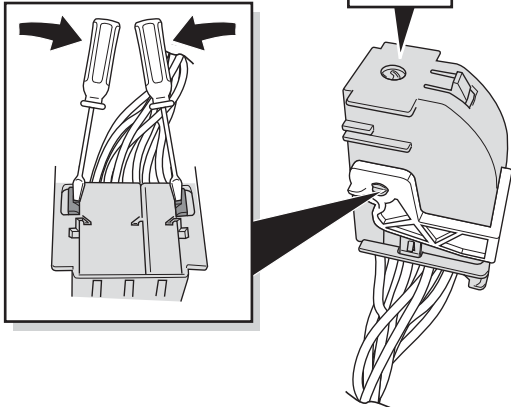


2

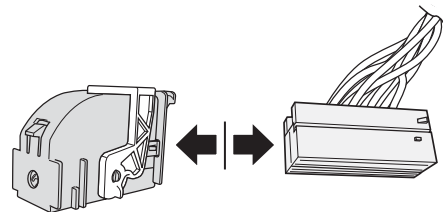
24

Option 1

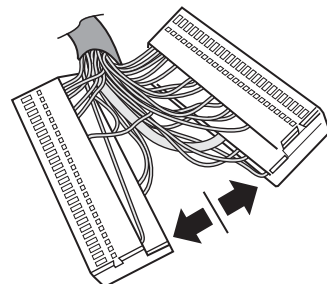
1



2



3



25

Option 1

BCM-B

STOP
Black/Red or Black
Pos. 10

26

Option 1

BCM-B

STOP
Black/Red or Black
Pos. 2

STOP
Blue/Red
Pos. 10

LOCK

Orange/Green
Pos. 1

Blue/Red
Pos. 2

A

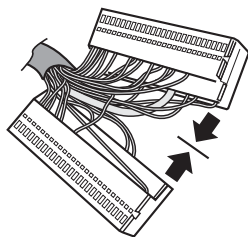
Orange/Brown
Pos. 3

27

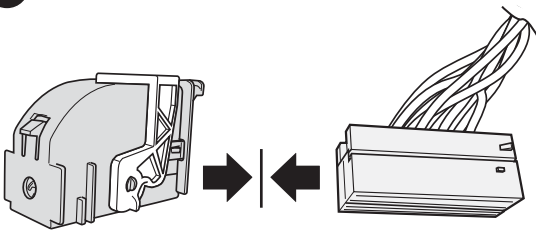
Option 1

BCM-B

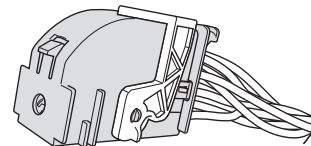
1



2



3

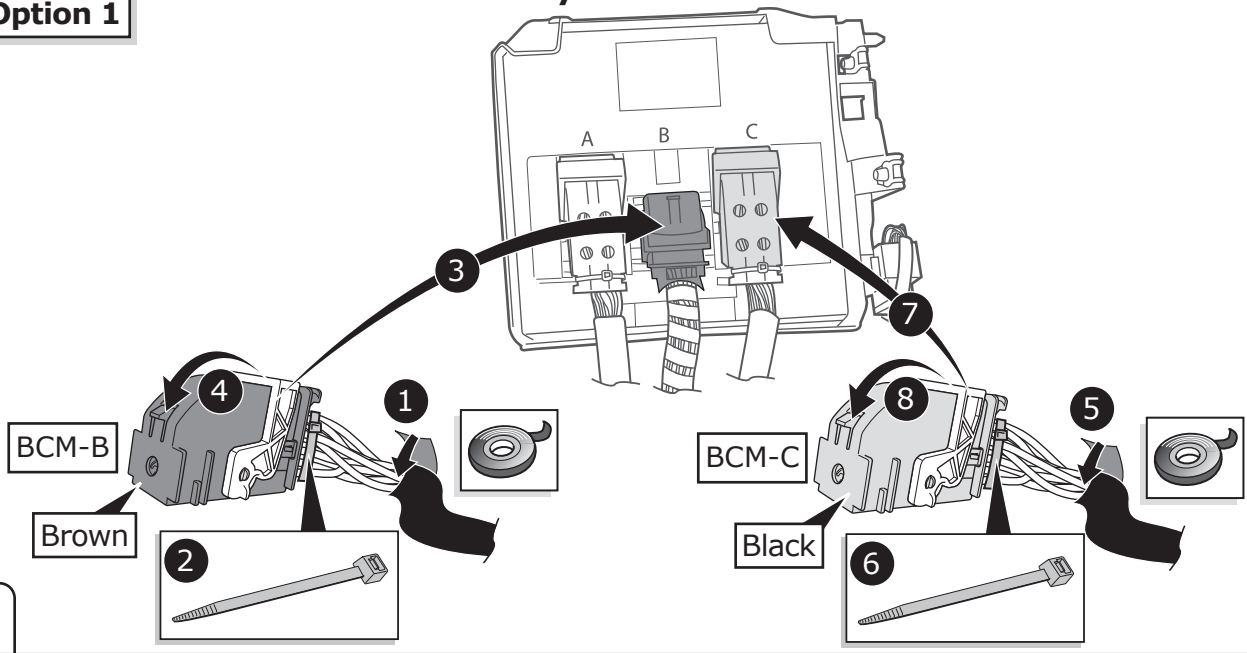


28

Body Control Module

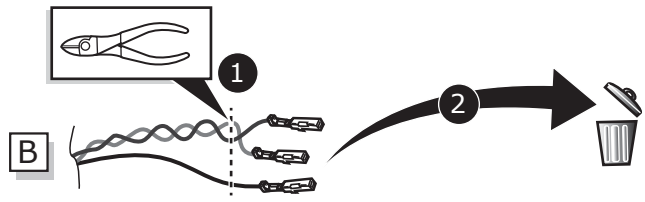
Option 1

29



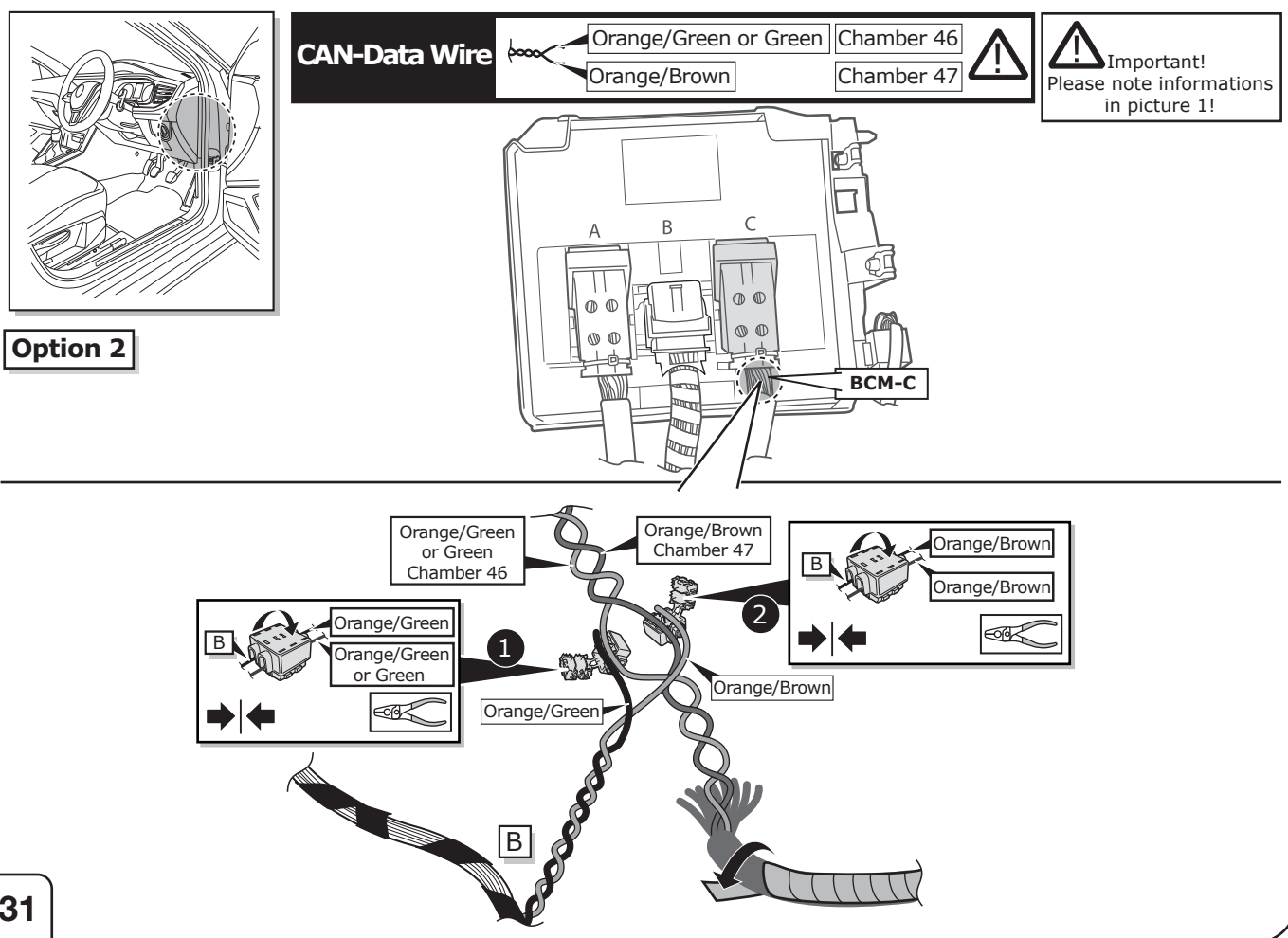
Option 2

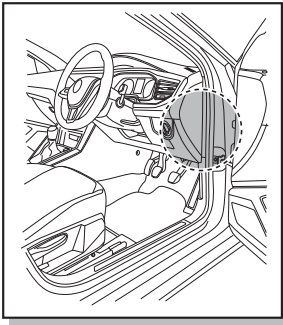
30



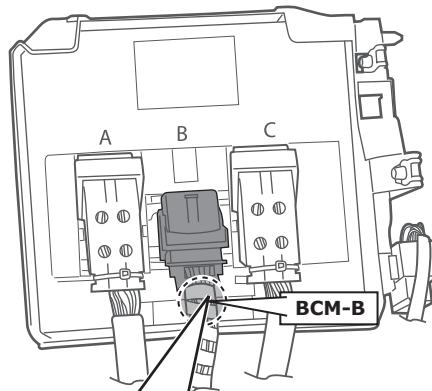
Option 2

31



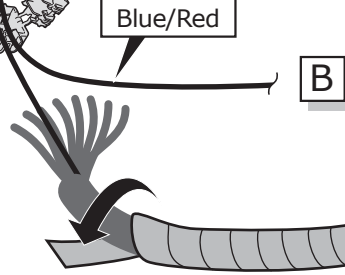
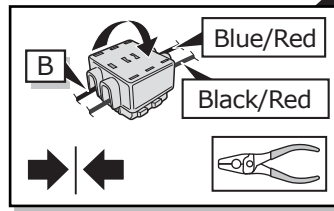


Option 2

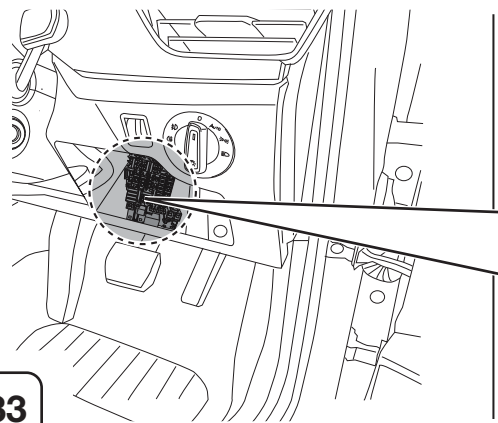


! Important!
Please note informations
in picture 1!

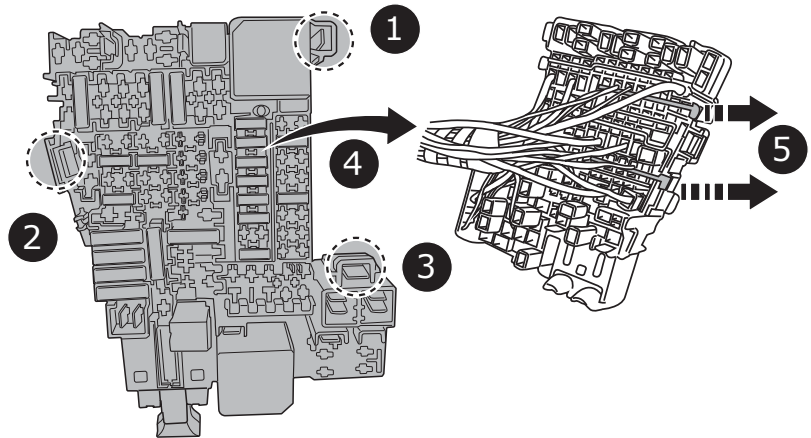
54 STOP
Black/Red or Black
Chamber 10



32



33



OPTION 1

35 → 37

45 → 55



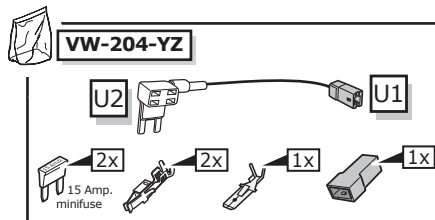
**If only B+ /30 for module needed!
And unoccupied Little Fuse B+ /30 for
socket available!**

OPTION 2

38 → 55

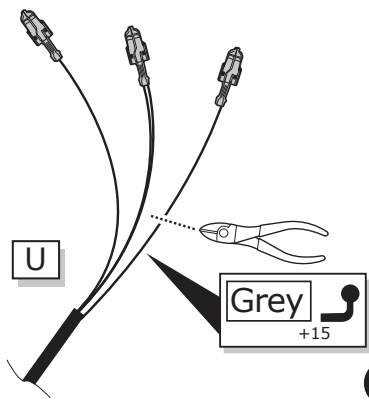


**There is no unoccupied Little Fuse B+ /30 for
socket available!
If additional +15 on the socket needed!**

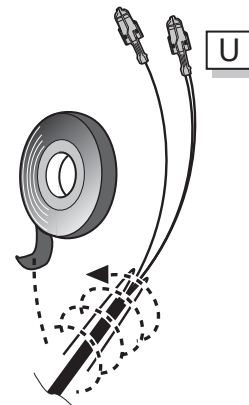


34

OPTION 1



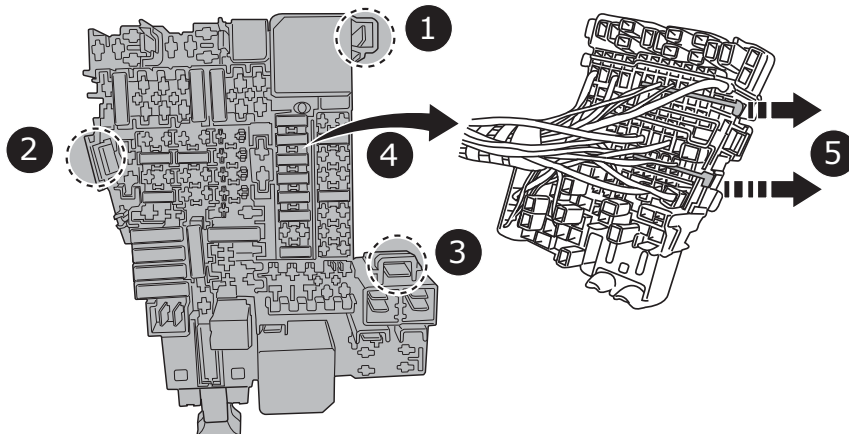
1



2

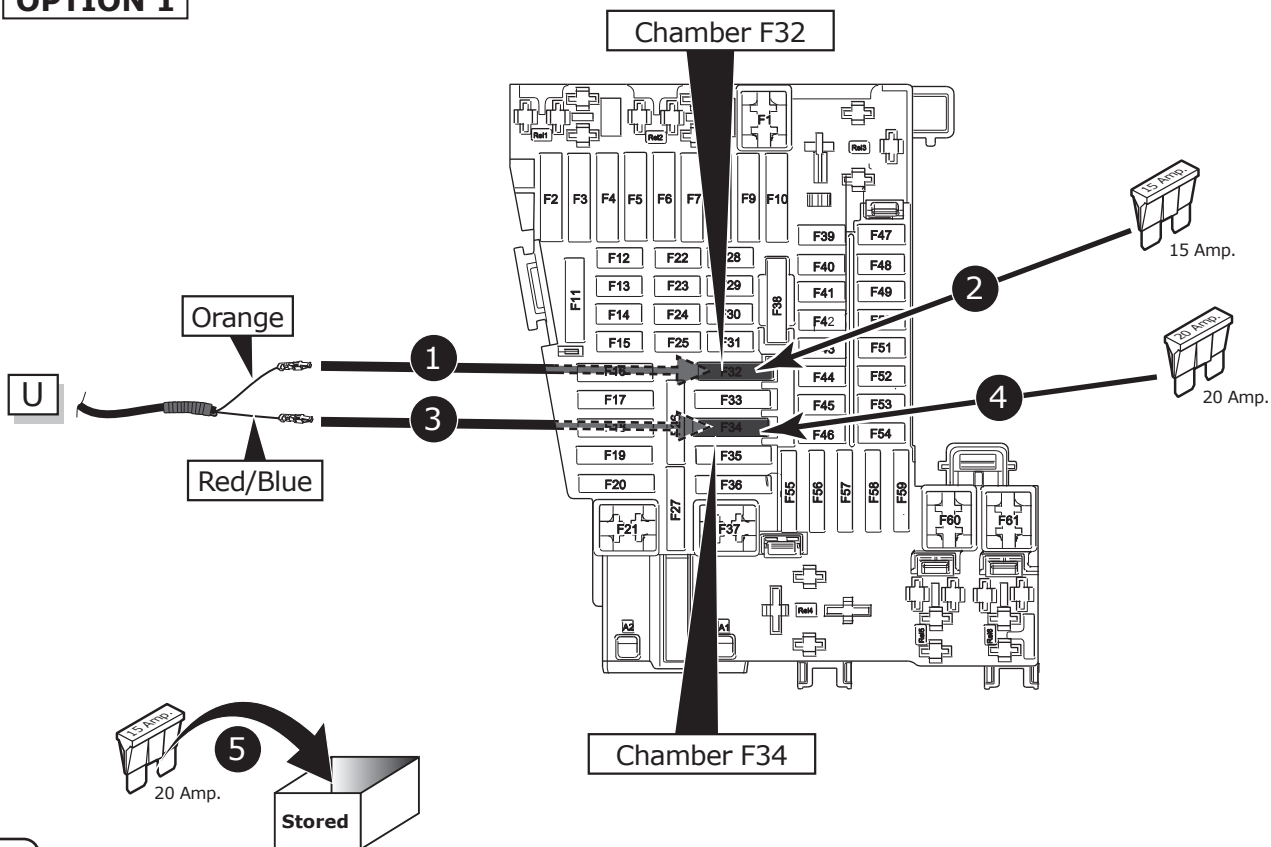
35

OPTION 1+2



36

OPTION 1

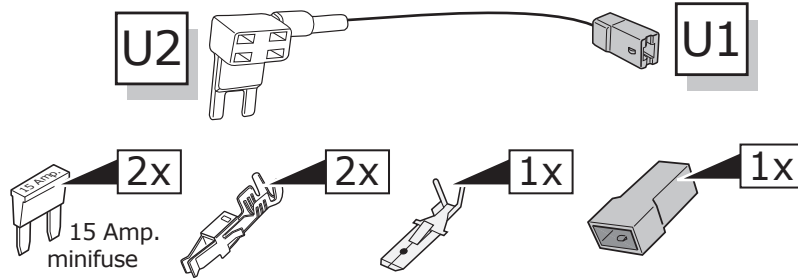


37

OPTION 2

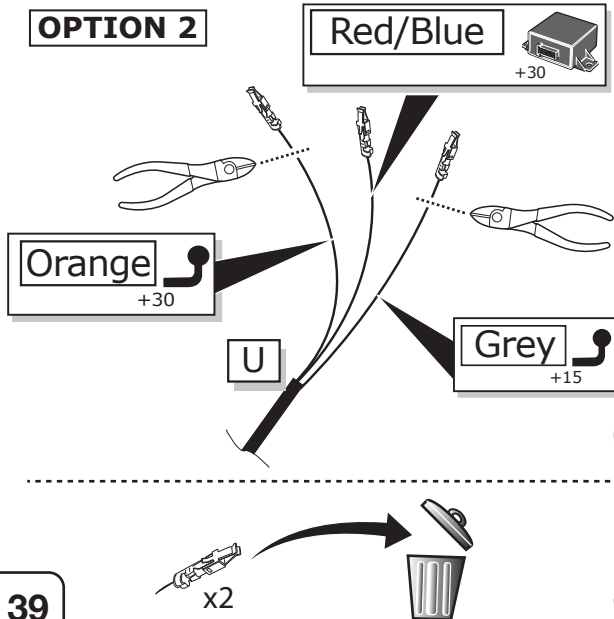


VW-204-YZ

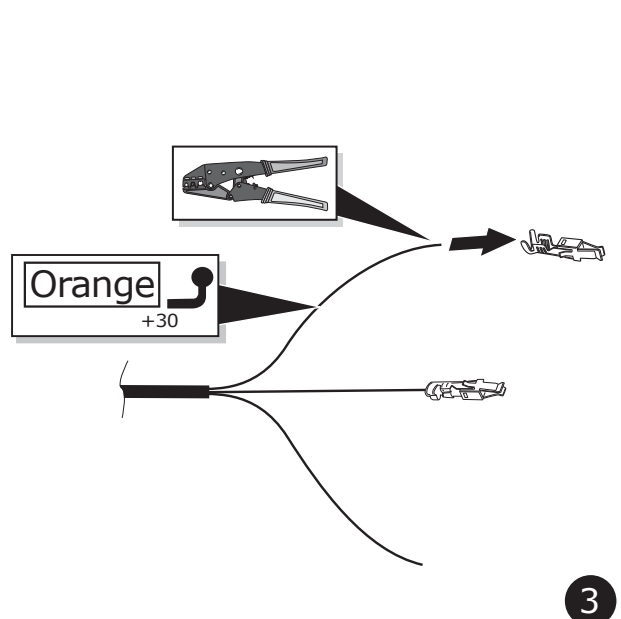


38

OPTION 2



39

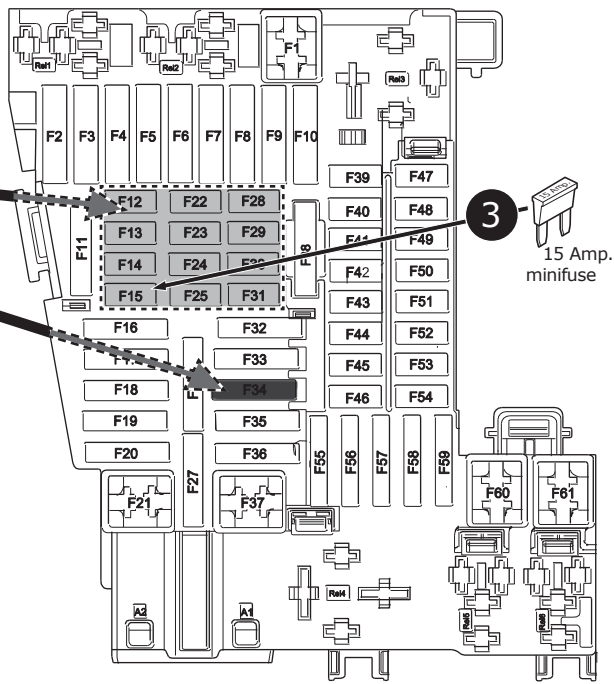
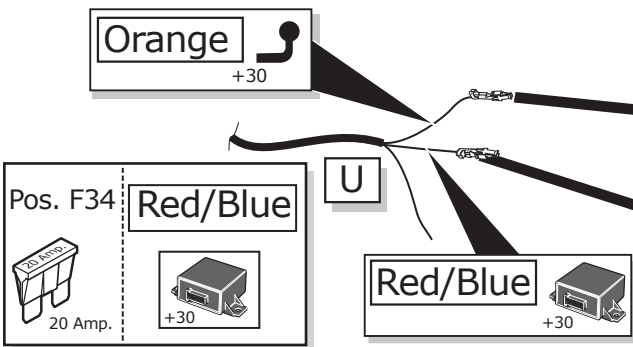


3

OPTION 2

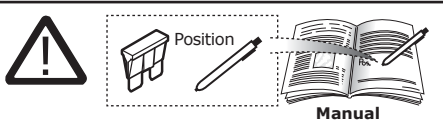
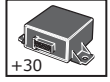
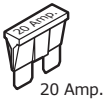


Choose any unoccupied mini fuse position!



Pos. F34

Red/Blue

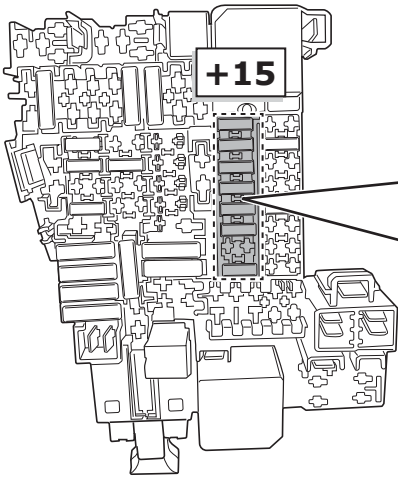


Orange

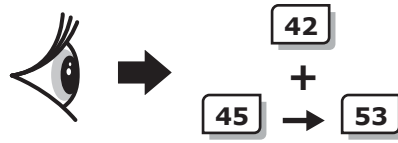


40

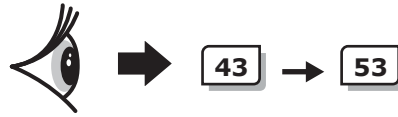
OPTION 2



Option A If there is an unoccupied position for +15



Option B If there is no unoccupied position for +15



41

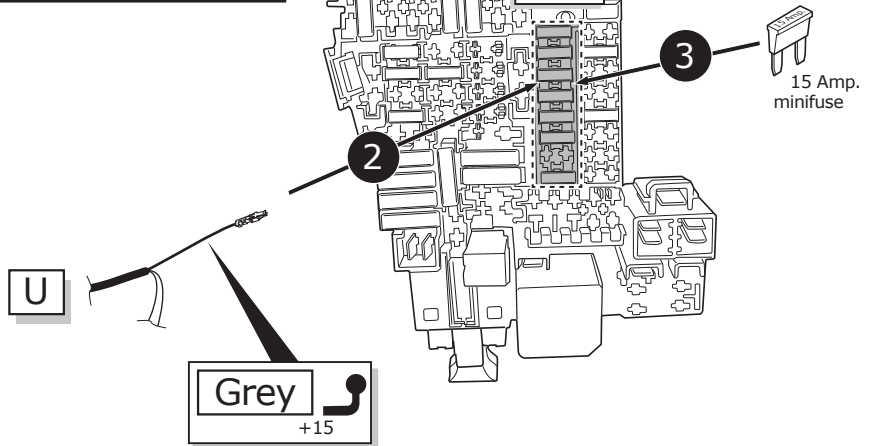
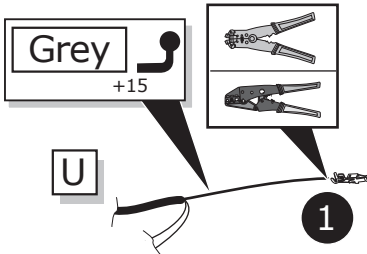
OPTION 2

Option A

A warning triangle icon, a fuse, a pencil, and an open manual labeled 'Manual'.

A 15 Amp. minifuse labeled 'Grey'.

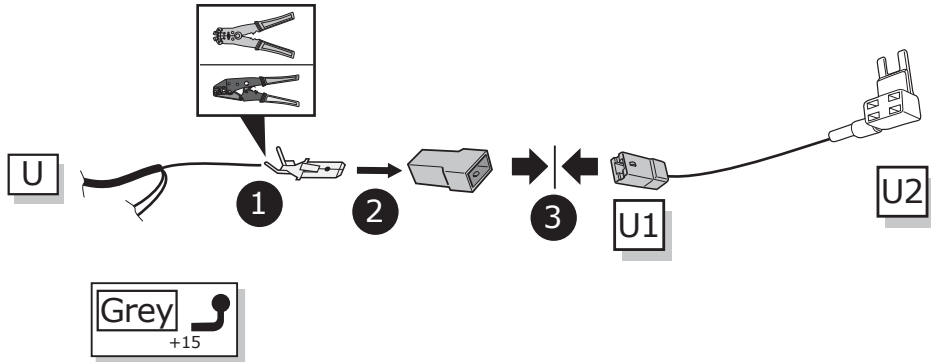
Choose any unoccupied position!



42

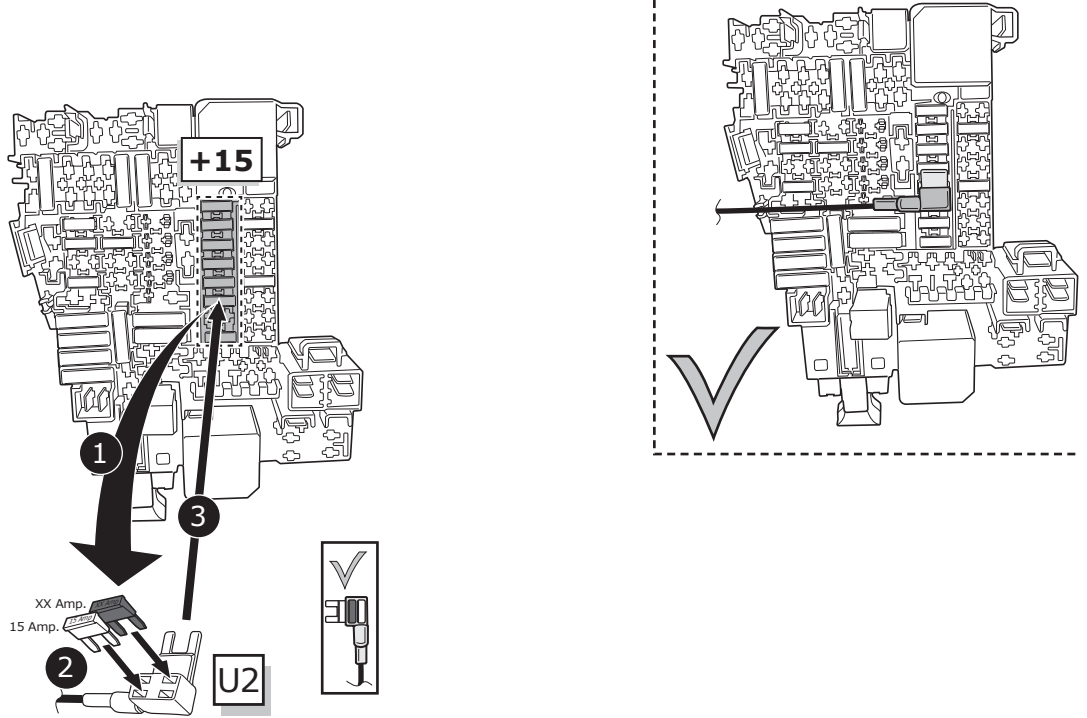
OPTION 2

Option B

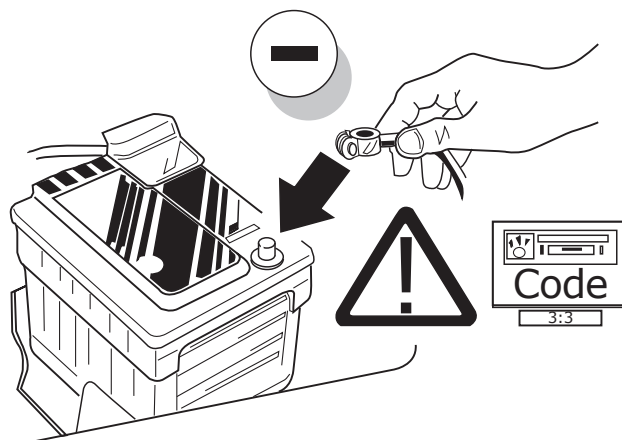


43

OPTION 2

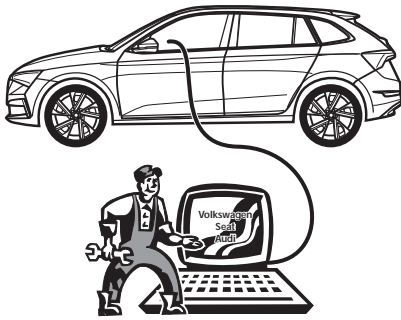


44



45

Set up trailer operation



Diagnosis Services or diagnostic methods (local / offline):

Please note:

Always use the latest diagnostic version!
The vehicle to be coded must be supported by the diagnostic service provider and already be implemented in the diagnostics version!
Please contact your diagnostic service provider in case of any question.

- ODIS (step 45)
- Hella Gutmann
- VCDS
- Autologic
- Bosch / KTS
- SP Diagnostic
- SUN
- Jifeline
- Autocom
- etc. pp.

46

Set up trailer operation

CODING WITH ODIS

Please note:

The procedure described below for encoding and enabling the trailer mode only serves for a general orientation and can vary greatly depending on the model (motorisation / equipment). If necessary less or further control units will have to be adapted.

After connecting to ODIS, the "69 trailer function" controller has to be set to encoded in the target installation list.

The following may be necessary in the further course of work:

EZE_09 (electronic central electric controller):

Diagnosis
(possible login code: 31347)
Networking plan
Controller self-diagnosis
Encode
Trailer connection device >installed
or: hitch_ecu >installed

Alternative encoding EZE_09 as follows (MY 2017 >>):

Self diagnose control unit
Access authorization >31347
Adjustment
Integration
Trailer control unit > installed

ZKS_46 (Central module convenience system)

trailer monitoring >put on active
trailer control unit >installed

SWA_3C (Lane Change Assist)

ECU for draw bar >with ECU for draw bar

SW2_CF (Lane Change Assist2)

ECU for draw bar >with ECU for draw bar

SCH_17 (Dash panel insert)

Trailer >yes

RFK_6C (reverse camera system)

equipment_ahk >installed

STF_74 (chassis control system)

Trailer >installed

EPH_76 (PDC controller)

Trailer >trailer device can be removed manually

DIS_13 (controller distance control)

(possible login code: 20103)
Control module for towing sens >installed

Alternative encoding DIS_13 as follows:

Self diagnose control unit
Access authorization >20103
Encoding
Binary encoding
Byte 3
Binary >xxxx1xxx
or Hex >+8

FFF_A5 (front sensor system controller)

AAG >coded

HDE_6D (boot lid electronics controller)

Trailer >installed

Important note on encoding and activating in trailer mode

The aforementioned settings are carried out in the vehicle's electrical system and saved locally. During general updates for the vehicle software (for example, within the scope of service or repair work), the settings may be overwritten and deleted under certain circumstances. In this case, the trailer mode activation has to be updated again locally after the update. Diagnostic information relating to the trailer mode that may appear during variance comparisons with the data saved in the manufacturer's works, may form the basis of the local activation.

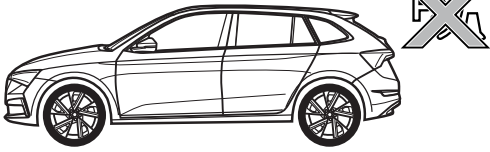
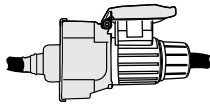
47

The following light functions for the trailer are **not supported** by all towing vehicles with DRL circuit:

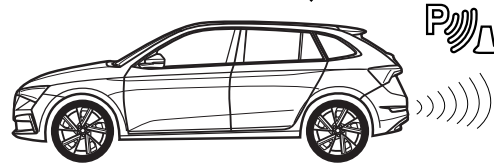
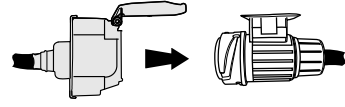
- Rear lights
- Side lights
- Numberplate lights

The **taillights or dimmed headlights** must be switched on to activate this function!

48



49



Optional

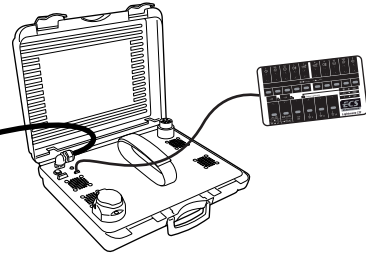
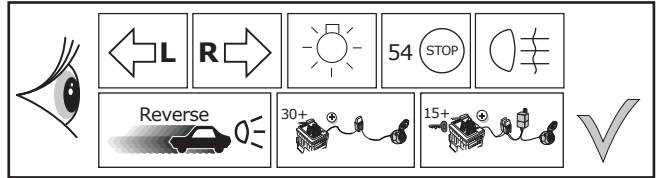
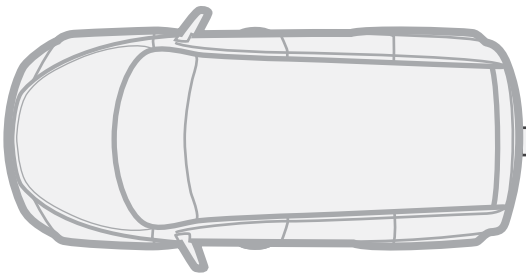


Consult your supplier.

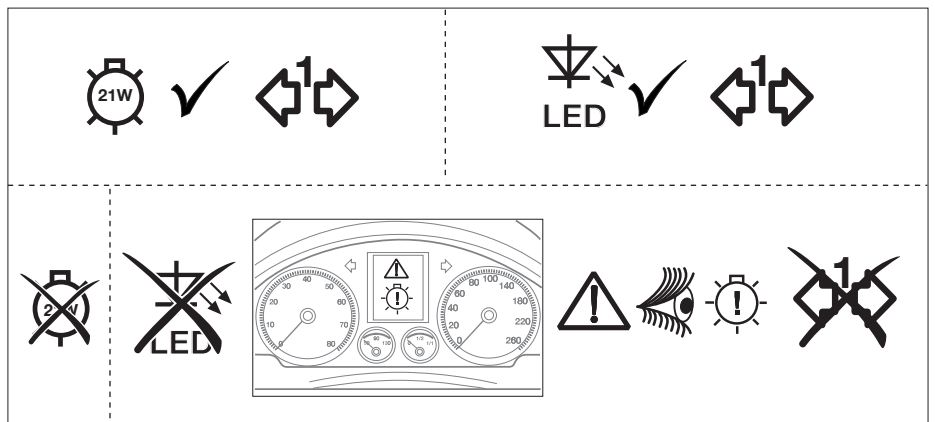
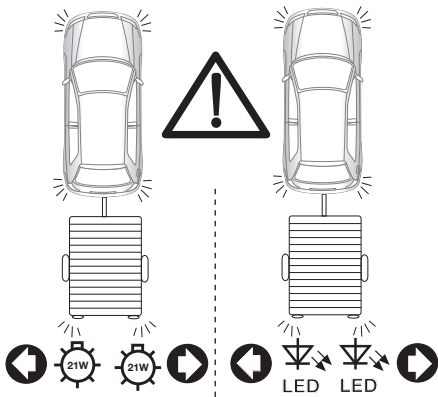


Trailer Simulator for 7- and 13-pin Sockets

50



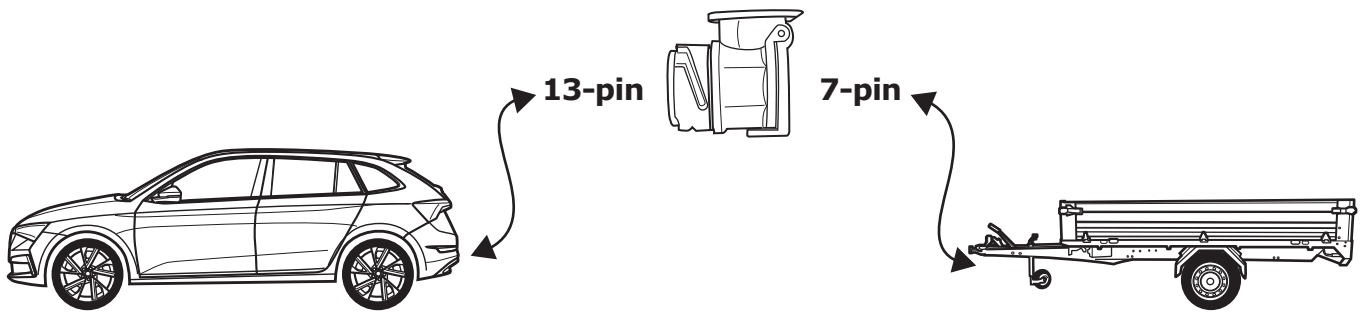
51



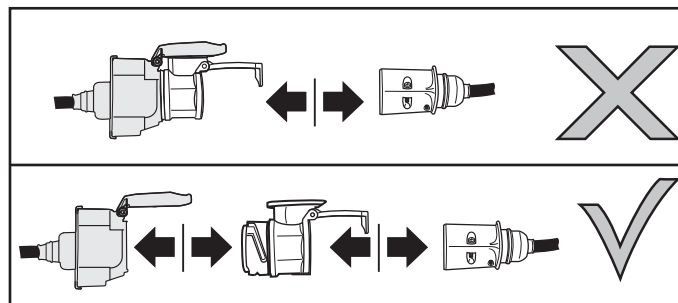
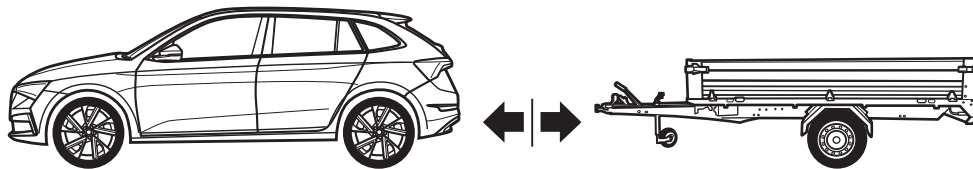
52

Optional

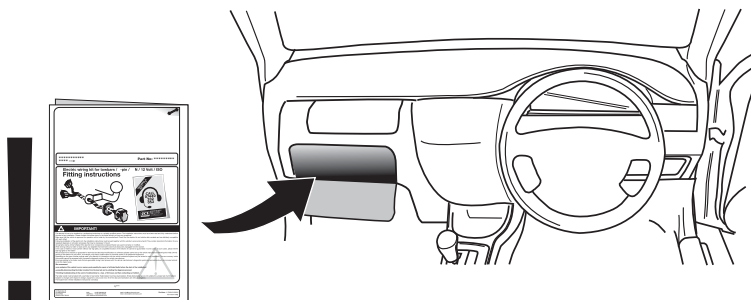
Adapter socket



53



54



55